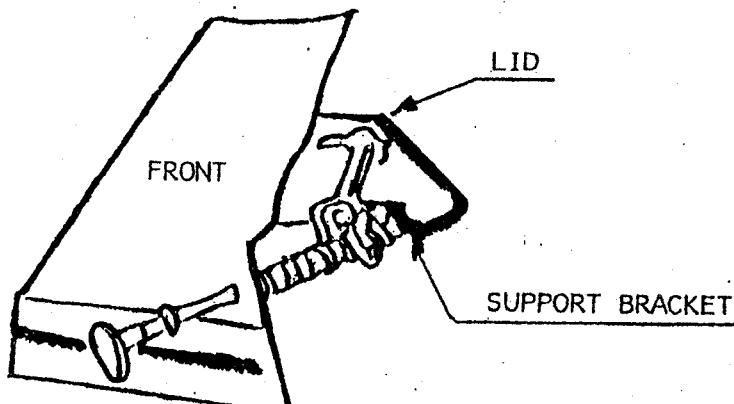


INSTALLATION INSTRUCTIONS FOR MODEL CR1-RC USED ON HUTCH CIRCULATORS, HUTCH-U-LATORS, AND HUTCH CIRC-U-LATOR "T".

1. BEFORE INSTALLATION, INSTALL THE PROPER YOKE EXTENTION ON THE YOKE FOR THE MODEL YOU ARE INSTALLING. USE THE SHORT EXTENTION (4" LONG) FOR H200 SERIES (CIRCULATORS), H400 SERIES (HUTCH-U-LATOR), AND H700 SERIES (CIRC-U-LATOR "T"), USE THE LONG EXTENTION (7" LONG) FOR H500 SERIES (HUTCH FORM-U-LATOR).

2. INSERT HANDLE THRU MASONRY TUBE AND THRU HOLE IN FRONT OF FIREPLACE. THEN THRU WORM AND YOKE ASSEMBLY WITH THE BRACKET AROUND IT AS SHOWN ABOVE AND INTO SUPPORT BRACKET AT TOP OF FIREWALL. TIGHTEN SET SCREW AND FASTEN YOKE EXTENTION BAR TO LID BRACKET WITH COTTER PIN. THE BRACKET AROUND THE WORM HELPS PREVENT THE YOKE FROM JAMMING AT THE END OF THE WORM IF THE HANDLE IS TURNED TOO FAR.

NOTE: ADJUST THE LENGTH OF THE HANDLE AND TUBE BEFORE ASSEMBLY BY CUTTING OFF TO DESIRED LENGTH. REMOVE THE STANDARD LID HANDLE BY DISASSEMBLING THE BOLT THRU THE MIDDLE OF THE HANDLE.

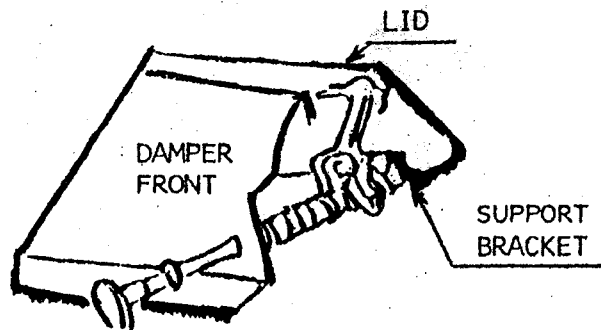


INSTALLATION INSTRUCTIONS FOR MODEL CR1 USED FOR CAST DAMPERS.

1. DO NOT USE ANY YOKE EXTENTION WHEN INSTALLING ROTARY CONTROL ON CAST DAMPERS. ONLY THE WORM BRACKET IS USED.

2. INSERT HANDLE THRU MASONRY TUBE AND THRU HOLE IN FRONT OF THE DAMPER. THEN THRU WORM AND YOKE ASSEMBLY WITH THE BRACKET AROUND IT AS SHOWN ABOVE AND INTO SUPPORT BRACKET AT BACK OF DAMPER. THEN THRU HOLE IN DAMPER LID. TIGHTEN SET SCREW AND FASTEN YOKE TO LID BRACKET WITH COTTER PIN. THE BRACKET AROUND THE WORM HELPS PREVENT THE YOKE FROM JAMMING AT THE END OF THE WORM IF THE HANDLE IS TURNED TOO FAR.

NOTE: ADJUST THE LENGTH OF THE HANDLE AND TUBE BEFORE ASSEMBLY BY CUTTING OFF TO DESIRED LENGTH.



HUTCH TNS
4-9-87