

ATTENTION ATTENTION ATTENTION

IMPORTANT INSTALLATION INSTRUCTIONS

The **BACK FLANGE** of the damper **MUST** be protected from intense heat by being placed directly over and **FULLY SUPPORTED** by the back wall firebrick masonry.

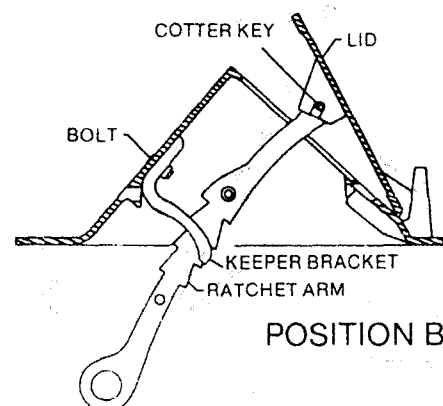
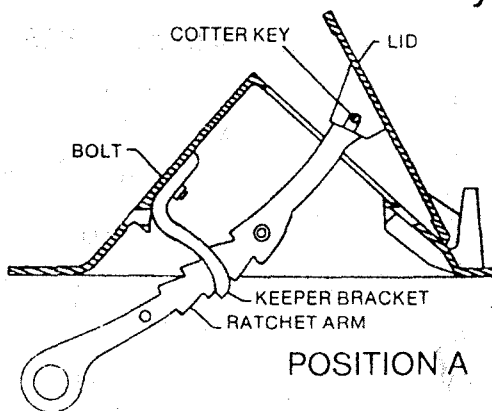
The damper should not be built in solidly at each end. Ends should have freedom to expand with heat. Allow **1/2" CLEARANCE** in masonry at each end for damper expansion.

ASSEMBLY INSTRUCTIONS



Poker Control Dampers

Allow 1/2" Clearance in Masonry at each end for Damper Expansion



(1) Bolt KEEPER BRACKET in place as shown. Insert bolt thru TOP HOLE on front center face of damper frame and thru hole on KEEPER BRACKET.

(2) Place RATCHET ARM thru slot in KEEPER and fasten to lid with cotter key. Finished assembly should appear as shown in illustration above.

Some contractors install damper two courses of brick above fireplace opening. A long ratchet arm is required in this type of installation. To lengthen RATCHET ARM reverse the position from that shown in "A" to that indicated in "B" above. KEEPER BRACKET is assembled to the damper in the same way for both positions. No extra parts are needed.